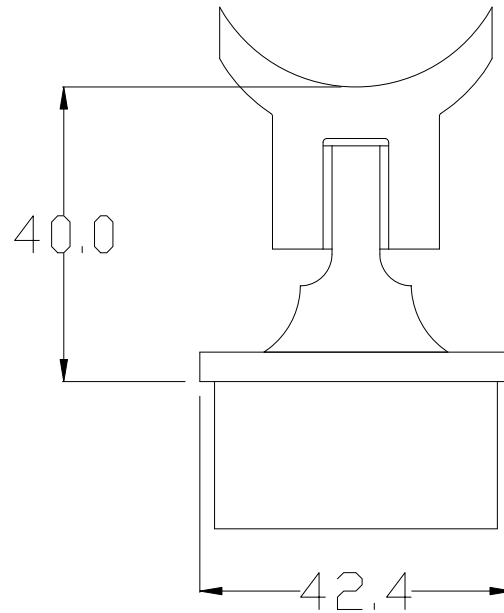
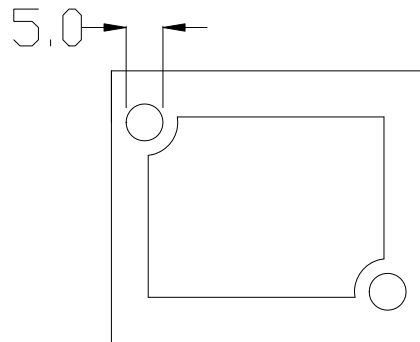
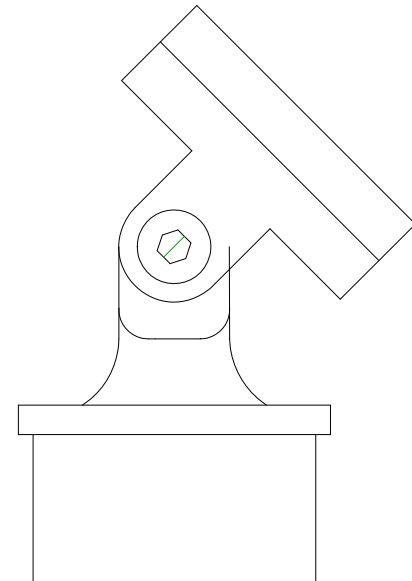


DO NOT SCALE OFF DRAWING. ALL DIMENSIONS IN MM

Hole Detail



Articulation Detail



Drawn By	J. Pytlinski	Part Number	FIG.241
Approved By	D. Worley	Description	Articulated Post Saddle
Revision No.		Material Spec	Stainless Steel AISI 304 or AISI 316
Date	21/01/2010	Copyright	This drawing is the property of Seagull Fittings Ltd copyright is reserved by them

Seagull Balustrades  
90 Roebuck Lane  
West Bromwich  
West Midlands  
B70 6QX