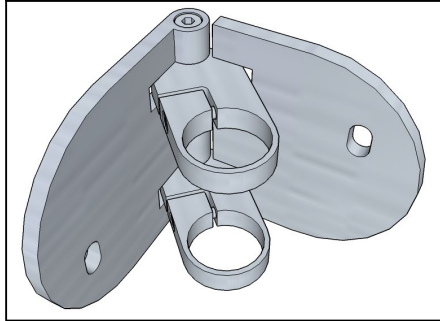
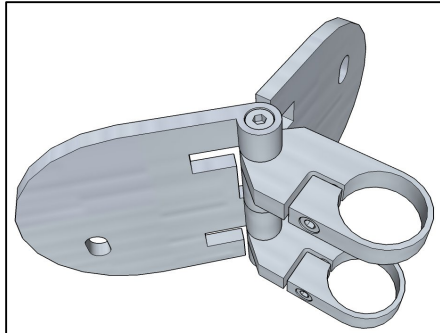
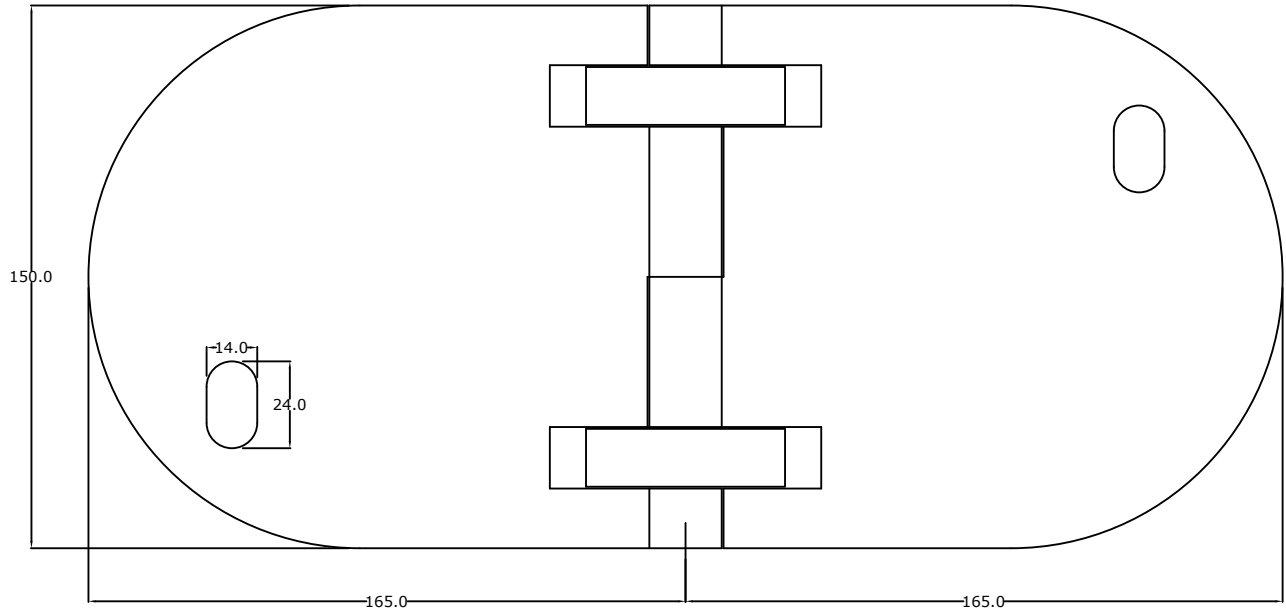


Do not scale off drawing. All Dimensions in mm



Seagull Balustrades  
90 Roebuck Lane  
West Bromwich  
West Midlands  
B70 6QX

Drawing No.  
**48FIG.101H**

Revision No. N/A  
Date 03/06/2015  
Drawn By J. Pytlinski  
Approved By D. Worley

Part No.  
48FIG.101.Hinge  
Description:  
Hinged Vertical Post Holder

Material Specification:  
Stainless Steel AISI316

