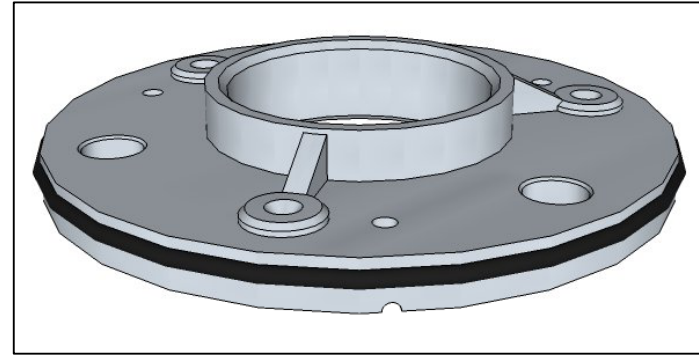
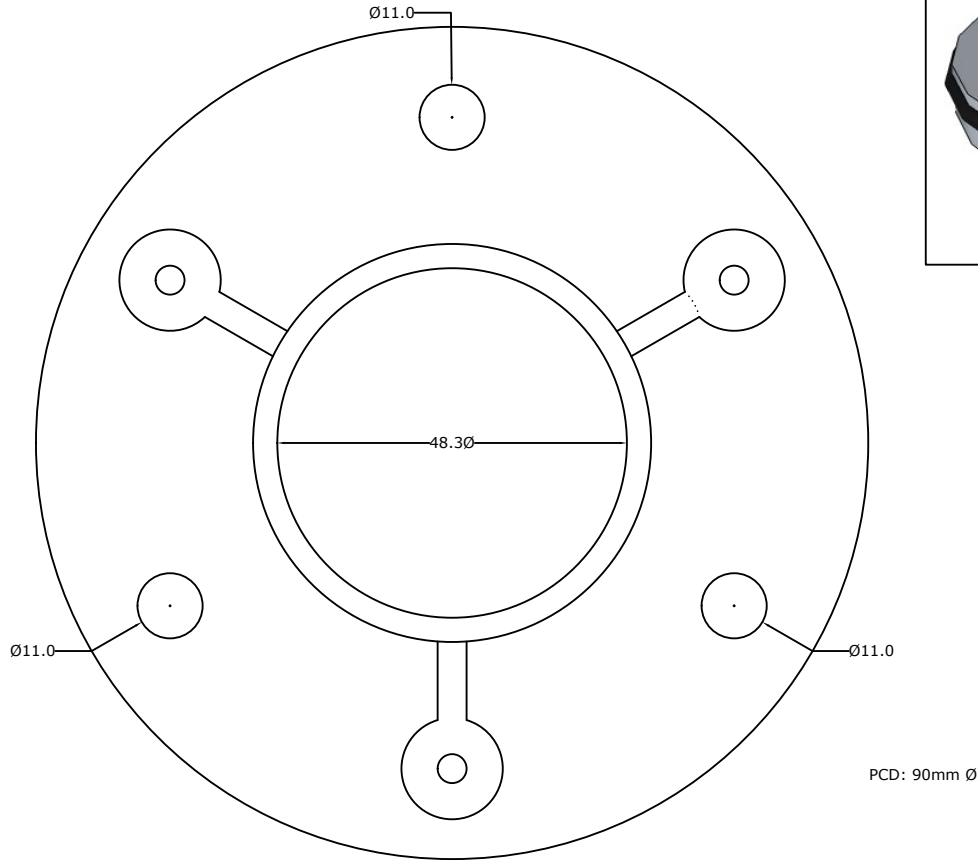


Do not scale off drawing. All Dimensions in mm



Seagull Balustrades
90 Roebuck Lane
West Bromwich
West Midlands
B70 6QX

Drawing No.
48FIG.010

Revision No. N/A
Date 03/06/2015
Drawn By J. Pytlinski
Approved By D. Worley

Part No.
48FIG.010
Description:
Ø48.3mm Weld Floor Plate

Material Specification:
Stainless Steel AISI316