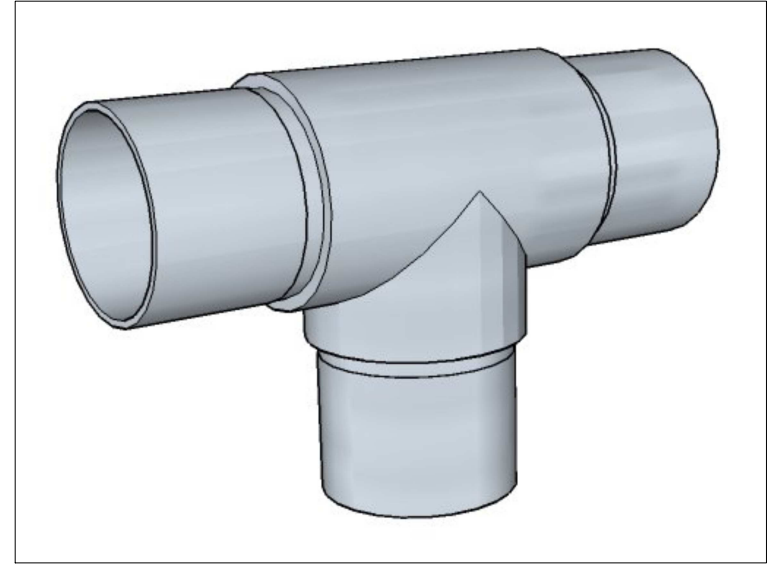
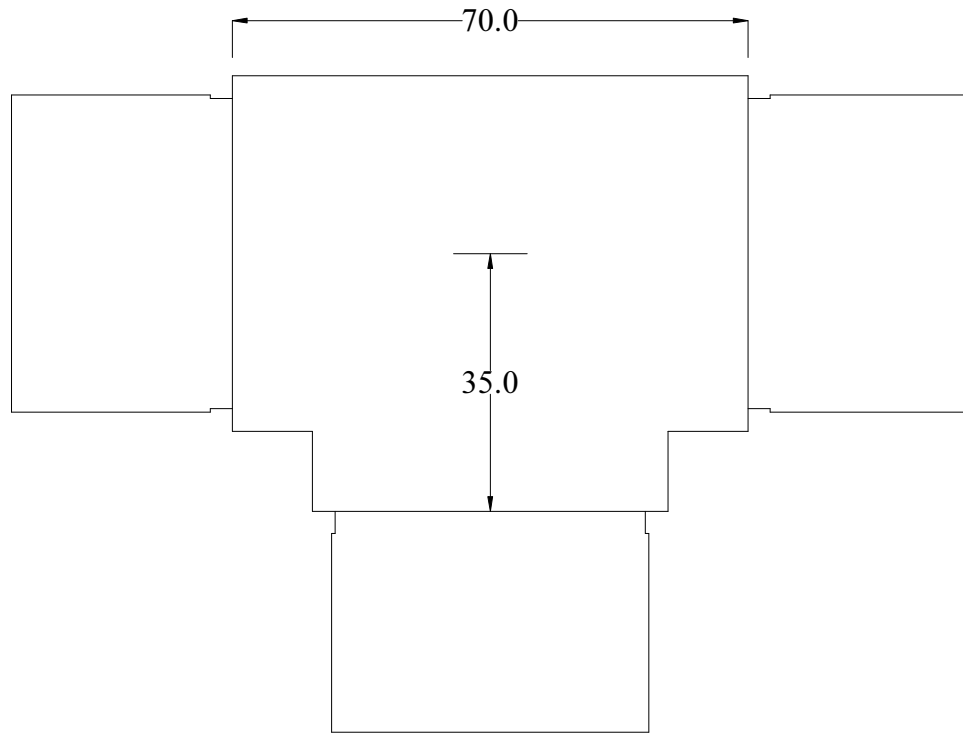


DO NOT SCALE OFF DRAWING. ALL DIMENSIONS IN MM



Drawn By	J. Pytlinski	Part Number	48FIG.210
Approved By	D. Worley	Description	Equal Tee for 48.3mm System
Revision No.		Material Spec	Stainless Steel AISI 316
Date	12/01/2012	Copyright	This drawing is the property of Seagull Fittings Ltd copyright is reserved by them

Drawing Number:
48FIG210

Seagull Balustrades
90 Roebuck Lane
West Bromwich
West Midlands
B70 6QX