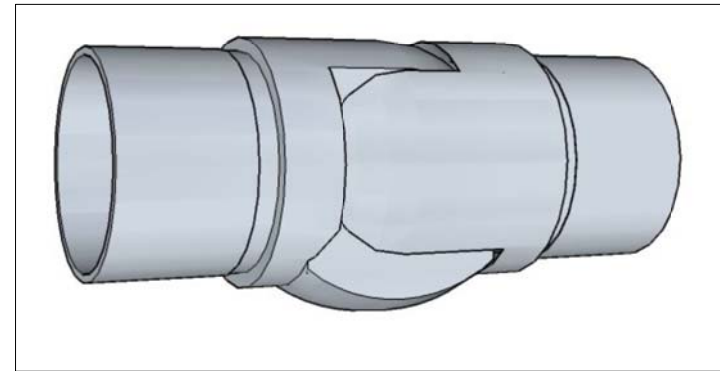
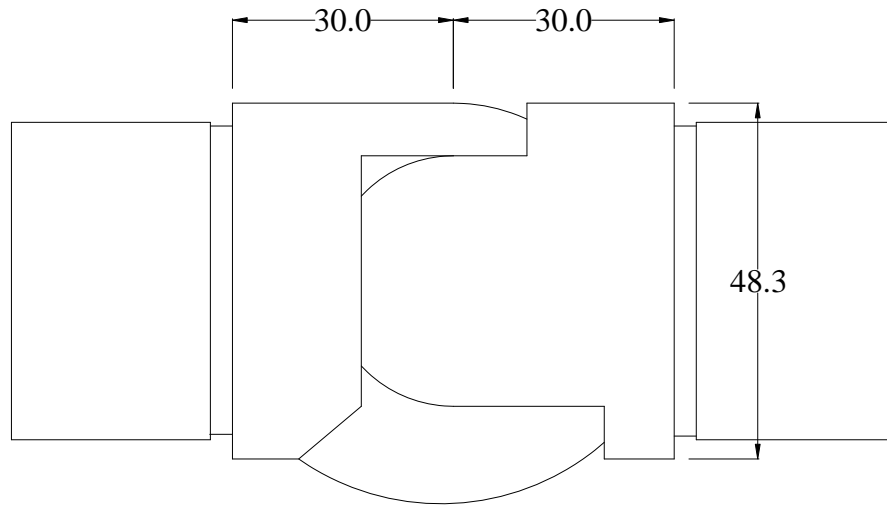


DO NOT SCALE OFF DRAWING. ALL DIMENSIONS IN MM



Drawn By	J. Pytlinski	Part Number	48FIG.177
Approved By	D. Worley	Description	Flush Hinged Joint
Revision No.		Material Spec	Stainless Steel AISI 304 or AISI 316
Date	21/08/2014	Copyright	This drawing is the property of Seagull Fittings Ltd copyright is reserved by them

Drawing Number:

N/A

Seagull Balustrades  
90 Roebuck Lane  
West Bromwich  
West Midlands  
B70 6QX