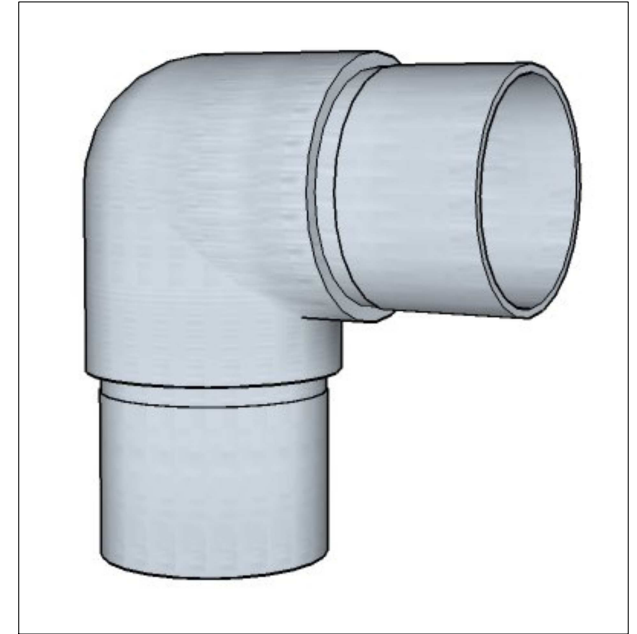
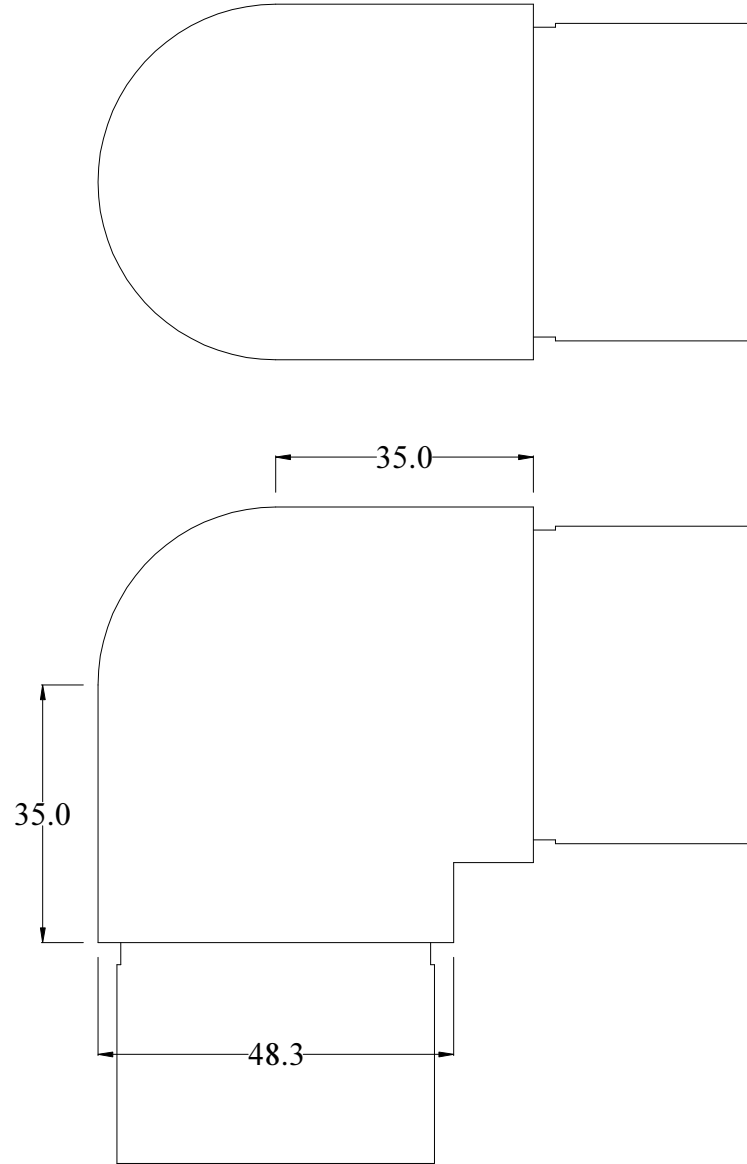


DO NOT SCALE OFF DRAWING. ALL DIMENSIONS IN MM



Drawn By	J. Pytlinski	Part Number	48FIG.170S
Approved By	D. Worley	Description	90° Acute Elbow
Revision No.		Material Spec	Stainless Steel AISI 304 or AISI 316
Date	21/01/2010	Copyright	This drawing is the property of Seagull Fittings Ltd copyright is reserved by them

Drawing Number:

N/A

Seagull Balustrades
90 Roebuck Lane
West Bromwich
West Midlands
B70 6QX