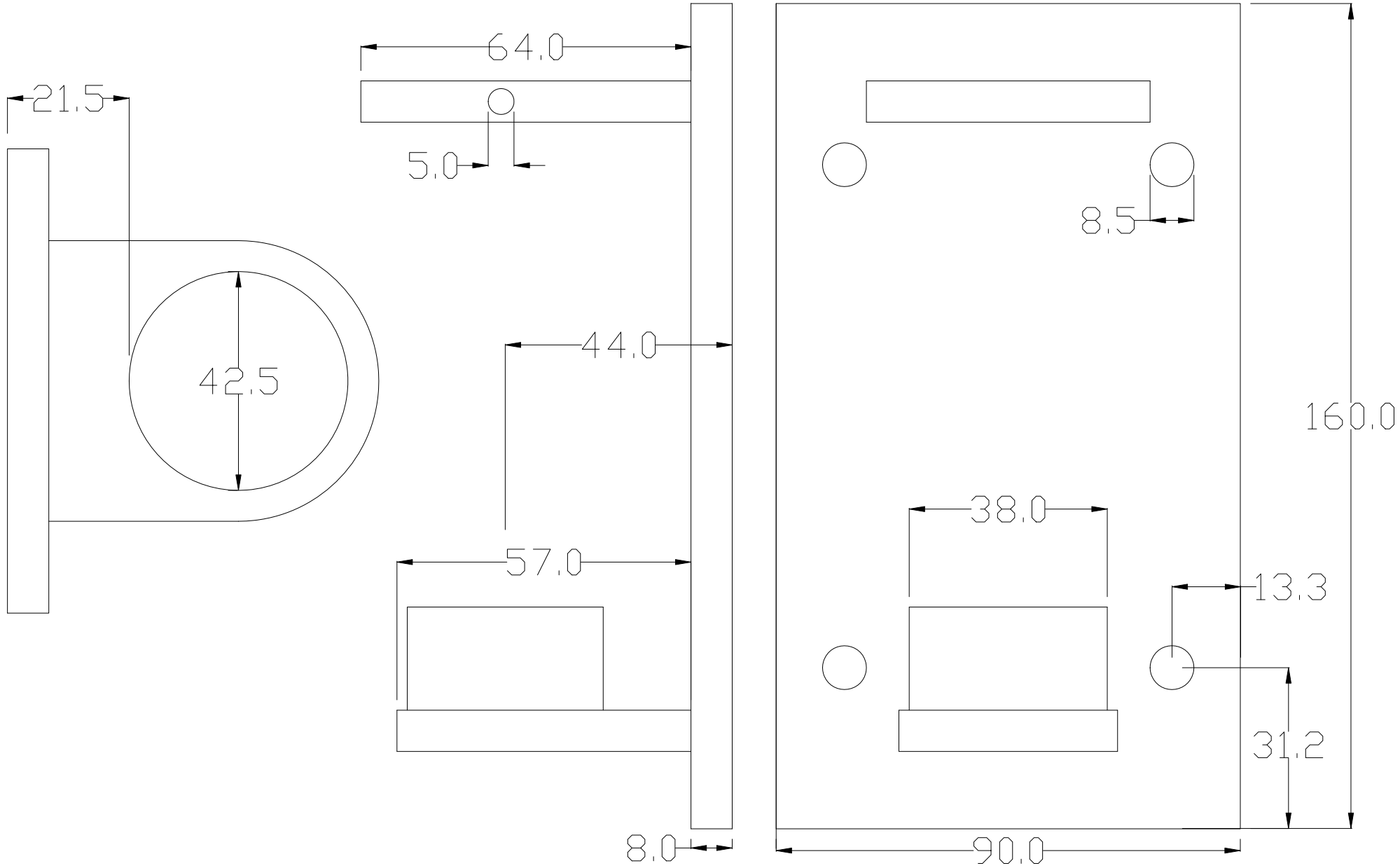


DO NOT SCALE OFF DRAWING. ALL DIMENSIONS IN MM



Drawn By	J. Pytlinski	Part Number	FIG.101
Approved By	D. Worley	Description	Post Holder
Revision No.		Material Spec	Stainless Steel AISI 304 or AISI 316
Date	21/01/2010	Copyright	This drawing is the property of Seagull Fittings Ltd copyright is reserved by them

Seagull Balustrades
 90 Roebuck Lane
 West Bromwich
 West Midlands
 B70 6QX