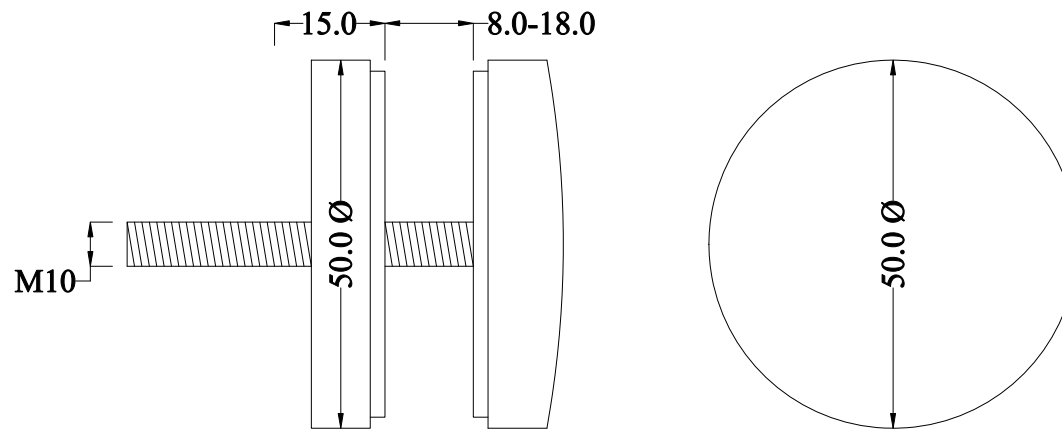


DO NOT SCALE OFF DRAWING. ALL DIMENSIONS IN MM



Drawn By	J. Pytlinski	Part Number	48FIG262-50
Approved By	D. Worley	Description	Flat Backed Glass Adaptor
Revision No.		Material Spec	Stainless Steel AISI 304 or AISI 316
Date	25/01/2012	Copyright	This drawing is the property of Seagull Fittings Ltd copyright is reserved by them

Drawing Number:

N/A

Seagull Balustrades  
90 Roebuck Lane  
West Bromwich  
West Midlands  
B70 6QX