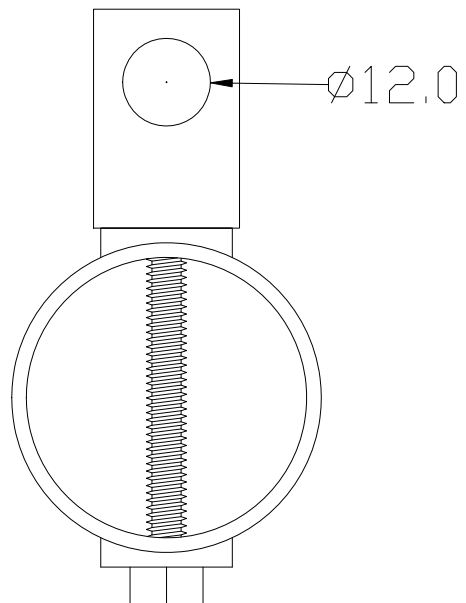


DO NOT SCALE OFF DRAWING. ALL DIMENSIONS IN MM



| | | | | |
|--------------|--------------|---------------|--|---|
| Drawn By | J. Pytlinski | Part Number | FIG.311 | Seagull Balustrades 90 Roebuck Lane West Bromwich West Midlands B70 6QX |
| Approved By | D. Worley | Description | Bar Holder | |
| Revision No. | | Material Spec | Stainless Steel AISI 304 or AISI 316 | |
| Date | 21/01/2010 | Copyright | This drawing is the property of Seagull Fittings Ltd copyright is reserved by them | |