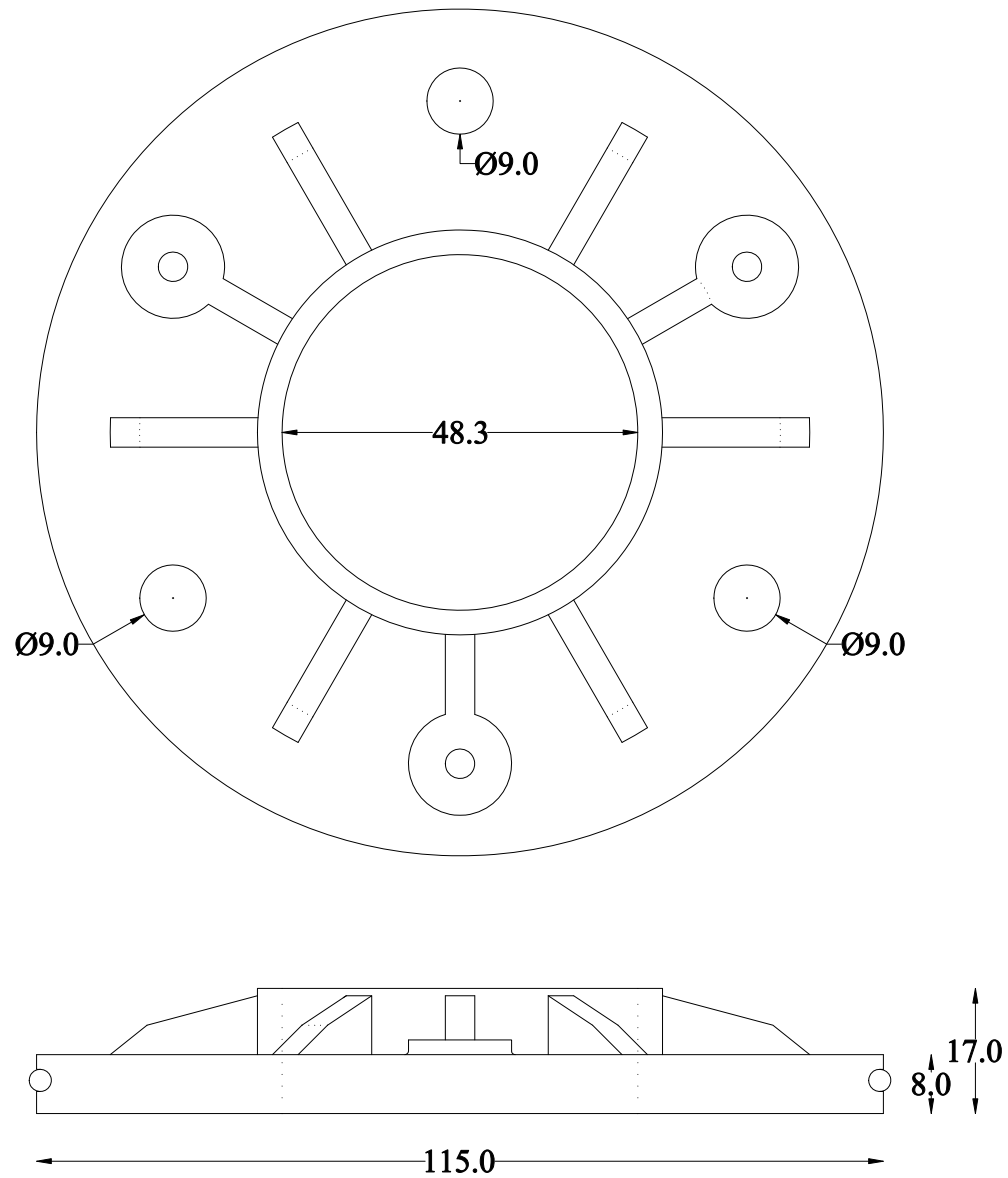


DO NOT SCALE OFF DRAWING. ALL DIMENSIONS IN MM



Drawn By	J. Pytlinski	Part Number	48FIG.010
Approved By	D. Worley	Description	Weld Floor Plate (48.3mm)
Revision No.	1	Material Spec	Stainless Steel AISI 304 or AISI 316
Date	02/11/2010	Copyright	This drawing is the property of Seagull Fittings Ltd copyright is reserved by them

Drawing Number:  
N/A

Seagull Balsutrades  
90 Roebuck Lane  
West Bromwich  
West Midlands  
B70 6QX