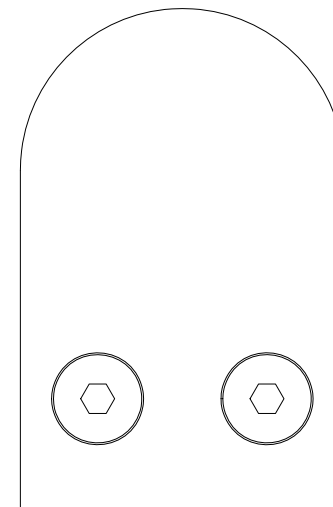
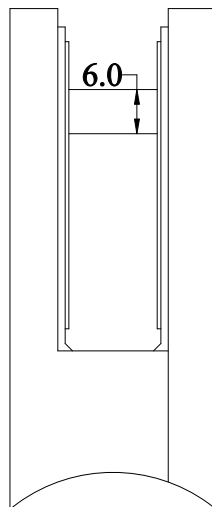
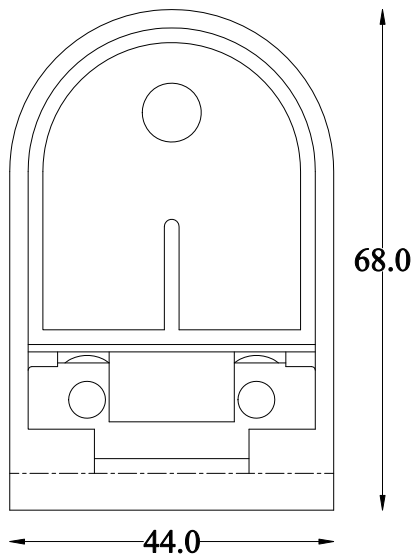


DO NOT SCALE OFF DRAWING. ALL DIMENSIONS IN MM



| | | | |
|--------------|--------------|---------------|--|
| Drawn By | J. Pytlinski | Part Number | GC6103 |
| Approved By | D. Worley | Description | Clamp For 8-10mm Glass |
| Revision No. | | Material Spec | Stainless Steel AISI 316 |
| Date | 21/01/2010 | Copyright | This drawing is the property of Seagull Fittings Ltd copyright is reserved by them |

Drawing Number:

N/A

Seagull Balustrades
90 Roebuck Lane
West Bromwich
West Midlands
B70 6QX