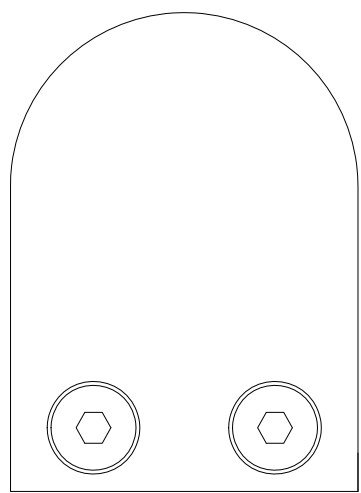
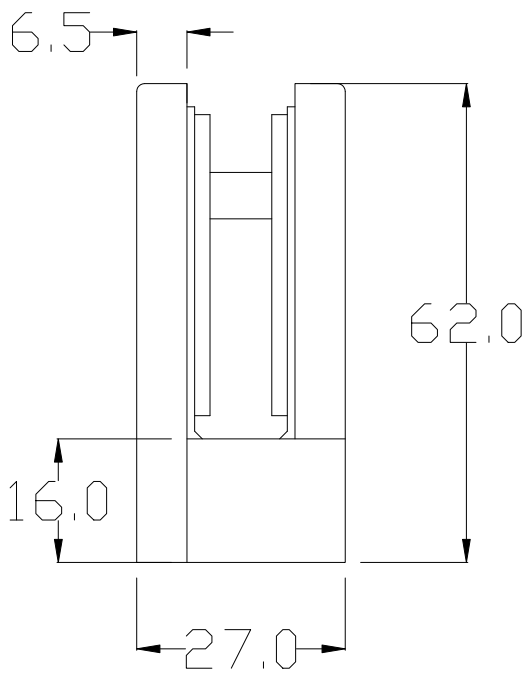
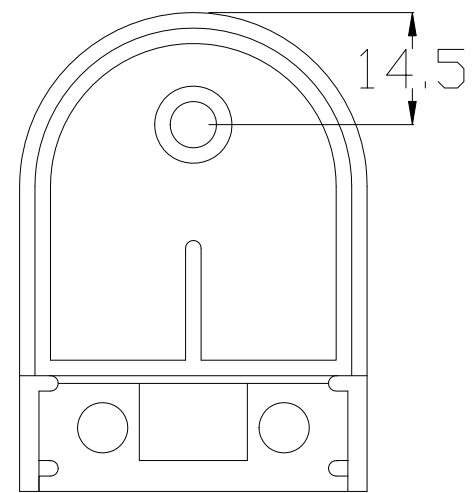


DO NOT SCALE OFF DRAWING. ALL DIMENSIONS IN MM



Spigot Detail



Drawn By	J. Pytlinski	Part Number	KLH10F
Approved By	D. Worley	Description	10mm Flat Based Glass Clamps
Revision No.		Material Spec	Stainless Steel AISI 304 or AISI 316
Date	21/01/2010	Copyright	This drawing is the property of Seagull Fittings Ltd copyright is reserved by them

Seagull Balustrades
90 Roebuck Lane
West Bromwich
West Midlands
B70 6QX