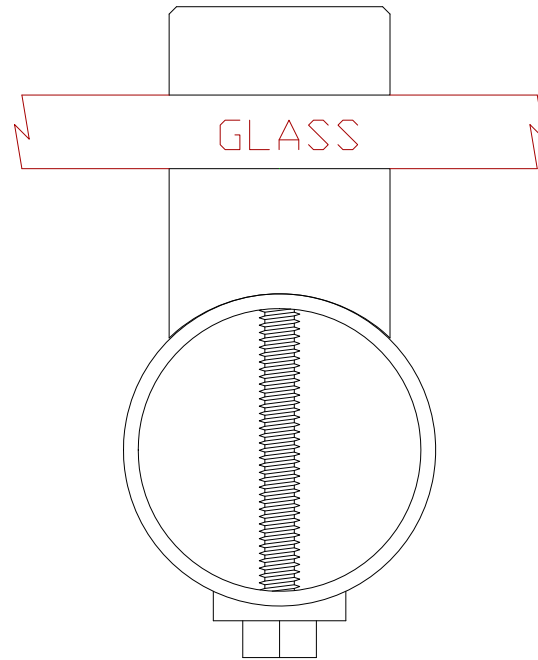


DO NOT SCALE OFF DRAWING. ALL DIMENSIONS IN MM



Also C/W

2 x Saddle Washers

2 x Plastic Washers

Drawn By	J. Pytlinski	Part Number	FIG.262
Approved By	D. Worley	Description	Glass Panel Hanger
Revision No.		Material Spec	Stainless Steel AISI 304 or AISI 316
Date	21/01/2010	Copyright	This drawing is the property of Seagull Fittings Ltd copyright is reserved by them

Seagull Balsutrades  
90 Roebuck Lane  
West Bromwich  
West Midlands  
B70 6QX