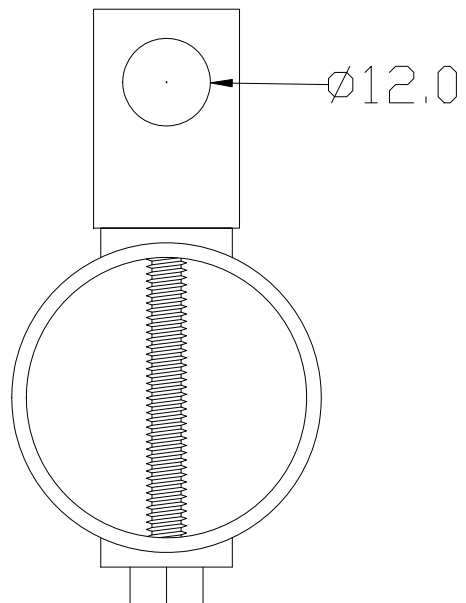


DO NOT SCALE OFF DRAWING. ALL DIMENSIONS IN MM



Drawn By	J. Pytlinski	Part Number	FIG.311	Seagull Balustrades 90 Roebuck Lane West Bromwich West Midlands B70 6QX
Approved By	D. Worley	Description	Bar Holder	
Revision No.		Material Spec	Stainless Steel AISI 304 or AISI 316	
Date	21/01/2010	Copyright	This drawing is the property of Seagull Fittings Ltd copyright is reserved by them	