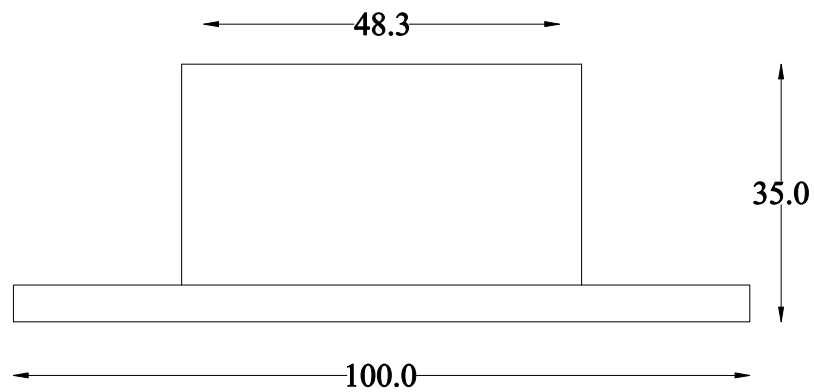
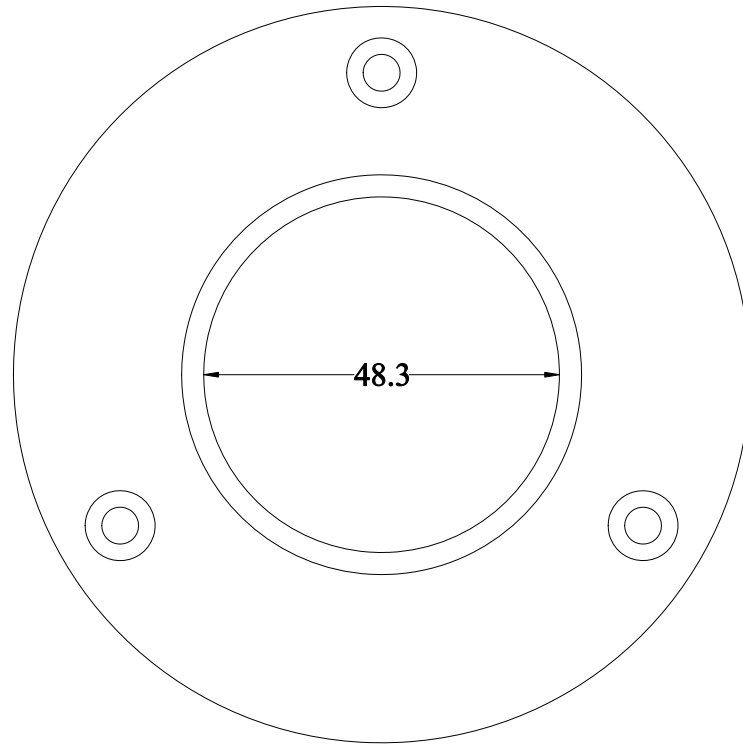


DO NOT SCALE OFF DRAWING. ALL DIMENSIONS IN MM



Drawn By	J. Pytlinski	Part Number	48FIG.020
Approved By	D. Worley	Description	Wall Plate
Revision No.		Material Spec	Stainless Steel AISI 304 or AISI 316
Date	21/01/2010	Copyright	This drawing is the property of Seagull Fittings Ltd copyright is reserved by them

Drawing Number:

N/A

Seagull Balustrades
90 Roebuck Lane
West Bromwich
West Midlands
B70 6QX